



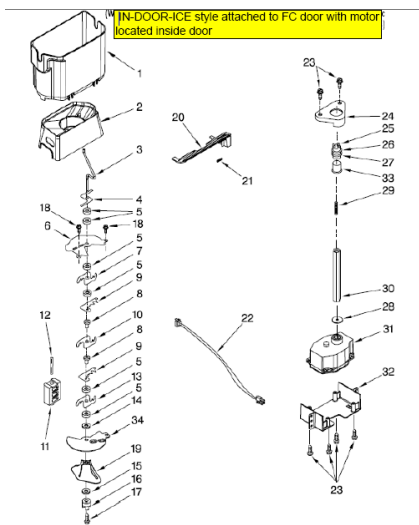
WORLD HEADQUARTERS • BENTON HARBOR, MICHIGAN 49022-2692

This CC91 letter is for door-ice (separator) assembly W10616146. This is being done in support of a service pointer W10749856 that applies to the issue of while a customer dispenses crushed ice, too much ice is being re-directed from the glass spraying out of the dispenser and to the floor. The correction is to replace current separator W10616148 with a new design. Once Customer Service determines whether the unit is a NON-IN-DOOR-ICE or IN-DOOR-ICE unit will help with the determination of the replacement separator assembly can be supplied.

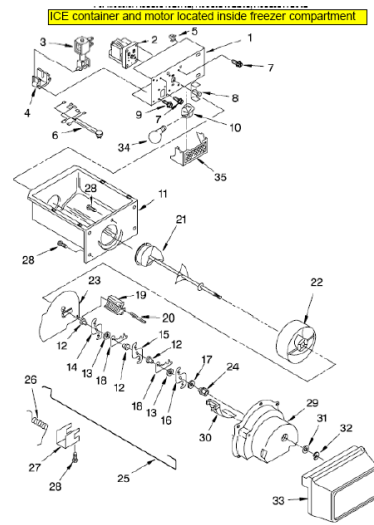
If the unit is a **NON-IN-DOOR-ICE** unit (ice bucket/container not mounted on the freezer door) the new replacement assembly will be the W10714978 –DOOR-ICE.

If the unit is an **IN-DOOR-ICE** unit (ice bucket/container mounted on the freezer door) the new replacement assembly will be the W10714973 –DOOR-ICE.

IDI arrangement



NON-IDI arrangement



Regards,

Whirlpool Corporation Consumer and Appliance Care